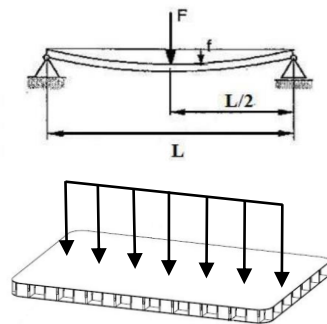


Panel Type		Er-Flex-10 SS 304
Top Cover Sheet		
Thickness of sheet [mm]	0,5	
Surface	Bright Natural	
Alloy/Condition	EN 1.4301 SS304-2B	
Proof Stress Rp0,2 [N/mm ²]	210	
Tensile Stress Rm [N/mm ²]	515	
Back Cover Sheet		
Thickness of sheet [mm]	0,5	
Surface	Bright Natural	
Alloy/Condition	EN 1.4301 SS304-2B	
Proof Stress Rp0,2 [N/mm ²]	210	
Tensile Stress Rm [N/mm ²]	515	
Core Specifications		
Core Thickness [mm]	0,5 (EN 1.4301 SS304-2B)	
Dimensions		
Overall thickness [mm]	11	
Standard width [mm]	1.500 ± 5	
Standard length [mm]	6.000 ± 5	
*Other dimensions on request		
Mechanical and Physical Properties		
Weight [kg/m ²]	14,6	
3 Point Bending Force [N]	L = 140 mm	
Limit of Force F	f ≤ 1,5 mm	
Max. bending test deflection f	F ≥ 3,3 kN	
Compressive strength [N/mm²]	≥ 4,2	
Temperature stability	-20 to 120 °C	
Approvals / Certificates	On request	
Impedance Test Result		
63 ~ 100 Hz	15 db	
300 ~ 500 Hz	28 db	



- Lightweight stainless steel panel with 2 cover sheets and a corrugated core
- 100 % recyclable without material separation
- High fire protection classifications for different areas
- Simple processing of the material with standard tools

- Very light and rigid
- High compressive strength
- High corrosion protection
- Excellent sound isolation