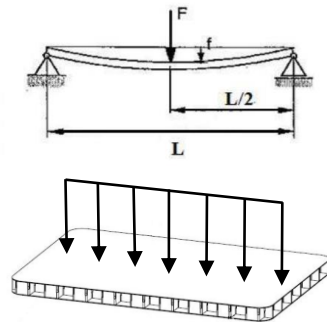


Panel Type		Er-Flex-10 Alu 1050
<b>Top Cover Sheet</b>		
Thickness of sheet [mm]		1
Surface		Matte Natural
Alloy/Condition		EN AW 1050
Proof Stress Rp0,2 [N/mm <sup>2</sup> ]		110
Tensile Stress Rm [N/mm <sup>2</sup> ]		130
<b>Back Cover Sheet</b>		
Thickness of sheet [mm]		1
Surface		Matte Natural
Alloy/Condition		EN AW 1050
Proof Stress Rp0,2 [N/mm <sup>2</sup> ]		110
Tensile Stress Rm [N/mm <sup>2</sup> ]		130
<b>Core Specifications</b>		
Core Thickness [mm]		0.5 ( EN AW 1050 )
<b>Dimensions</b>		
Overall thickness [mm]		12
Standard width [mm]		1.500 ± 5
Standard length [mm]		6.000 ± 5
*Other dimensions on request		
<b>Mechanical and Physical Properties</b>		
Weight [kg/m <sup>2</sup> ]		8,8
3 Point Bending Force [N]		L = 140 mm
Limit of Force F		f ≤ 1,5 mm
Max. bending test deflection f		F ≥ 2,8 kN
Compressive strength [N/mm <sup>2</sup> ]		≥ 3,5
Temperature stability		-20 to 120 °C
Approvals / Certificates		On request
<b>Impedance Test Result</b>		
63 ~ 100 Hz		15 db
300 ~ 500 Hz		28 db



- Lightweight aluminium panel with 2 cover sheets and a corrugated core
- 100 % recyclable without material separation
- High fire protection classifications for different areas
- Simple processing of the material with standard tools

- Very light and rigid
- High compressive strength
- High corrosion protection
- Excellent sound isolation